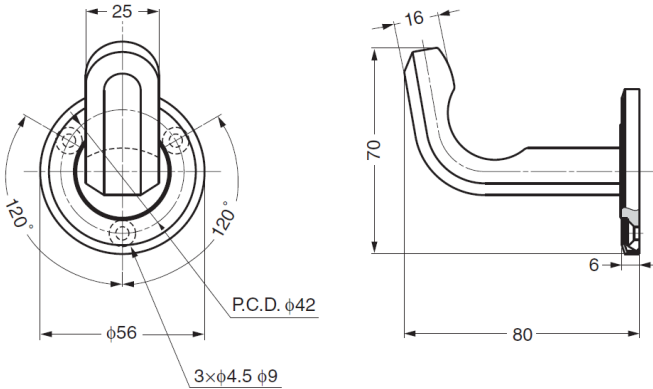


ZL-2101 Stainless Steel Hook

Features

- Superior "Zwei L Finish" - *Zwei L* represents the very pinnacle of ultra-premium Japanese hardware design. The contrasting bands of mirror finish and lustrous satin on a faceted profile give a jewel like finish that highlights and enhances any industrial design



Parts Included

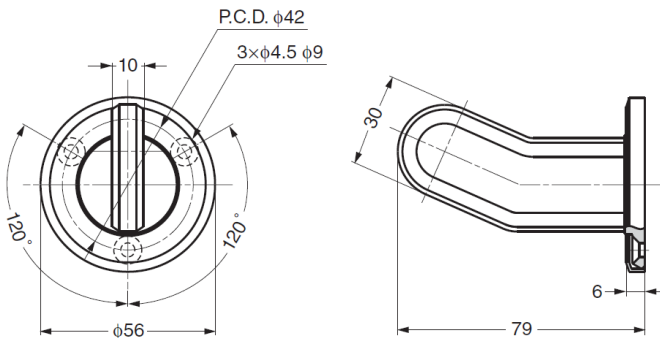
- Countersunk head wood screw 4.1 × 32 (SUS)
- Plug

Part No.	Material	Finish	Load Capacity	
ZL-2101	Stainless Steel 316	Zwei L Finish	359 N	37 kg

ZL-2102 Stainless Steel Hook

Features

- Superior "Zwei L Finish" - *Zwei L* represents the very pinnacle of ultra-premium Japanese hardware design. The contrasting bands of mirror finish and lustrous satin on a faceted profile give a jewel like finish that highlights and enhances any industrial design



Parts Included

- Countersunk head wood screw 4.1 × 32 (SUS)
- Plug

Part No.	Material	Finish	Load Capacity	
ZL-2102	Stainless Steel 316	Zwei L Finish	294 N	30 kg